

PRODUCT DATA SHEET

60MM EMERGENCY STOP LABEL



DESCRIPTION

It is made of quality materials and is a solid and durable product in terms of its structure.
It is included in Ø22mm Button Series Accessories.
It has a long lifespan.

FEATURES

It can protect the push button switch perfectly.
Its impact resistance and protection ability are quite strong.
Yellow, clearer and more eye-catching, the design is convenient for you to use.

MARKINGS

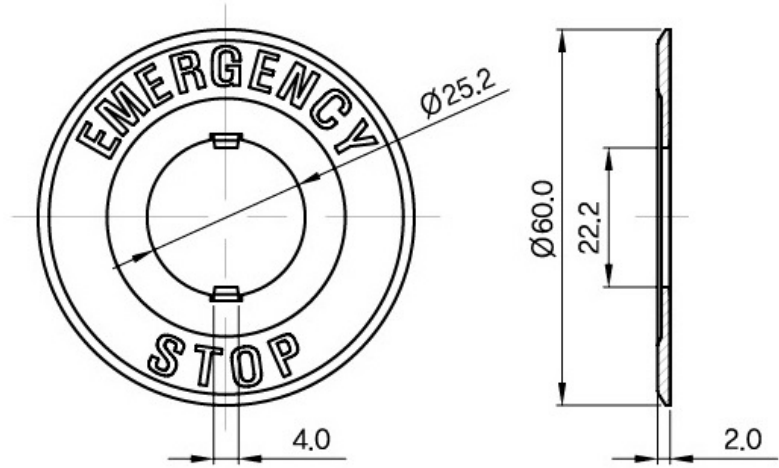


- According to CE

PRODUCT DATA SHEET

60MM EMERGENCY STOP LABEL

SECTIONS AND DIMENSIONS



| PRODUCT CODE | DESCRIPTION |
|--------------|---------------------------|
| FD/60 | 60mm Emergency Stop Label |